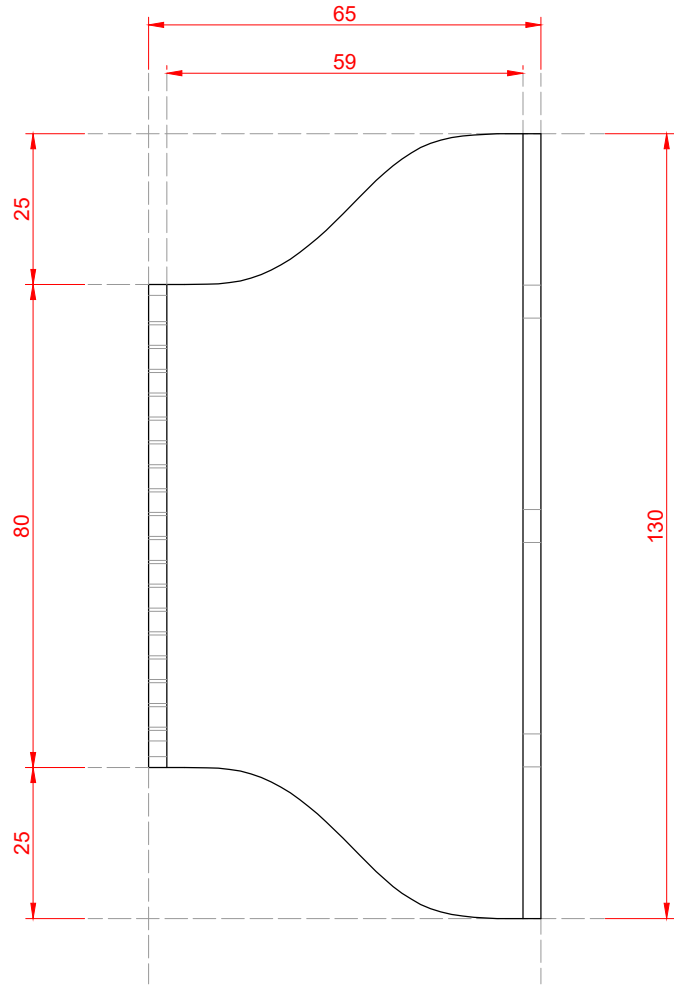
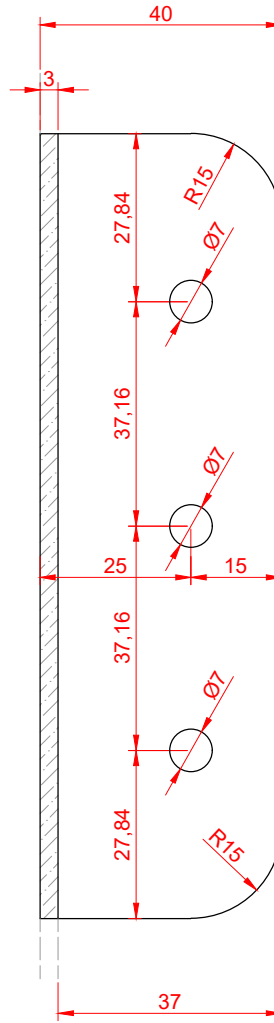


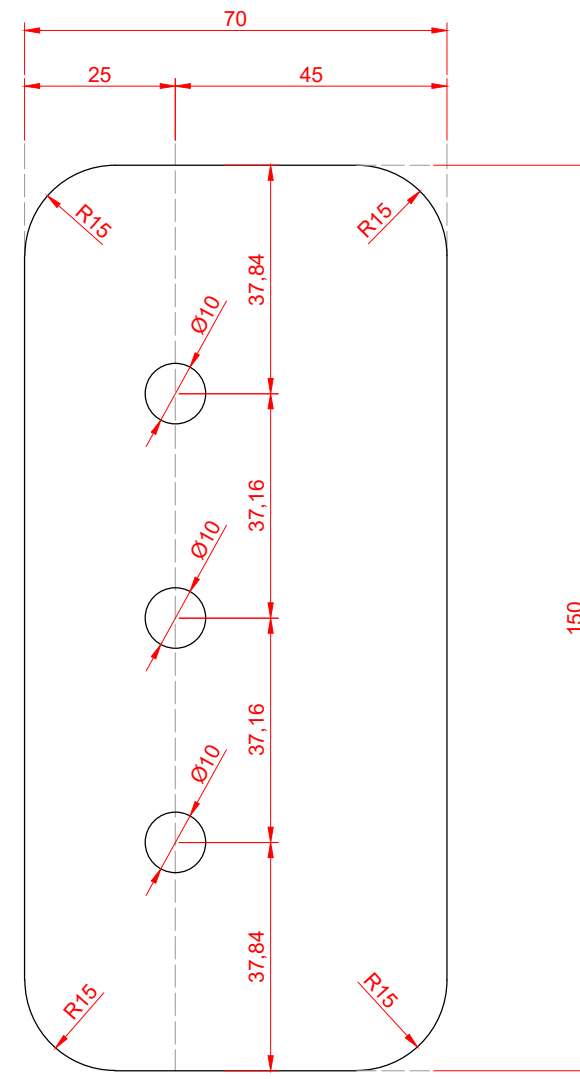
**Detail Elevation**  
FOOT HANDLE  
NTS



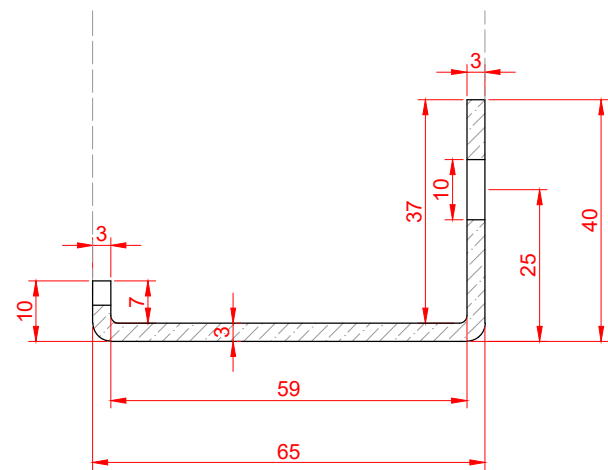
**Detail Plan**  
FOOT HANDLE  
NTS



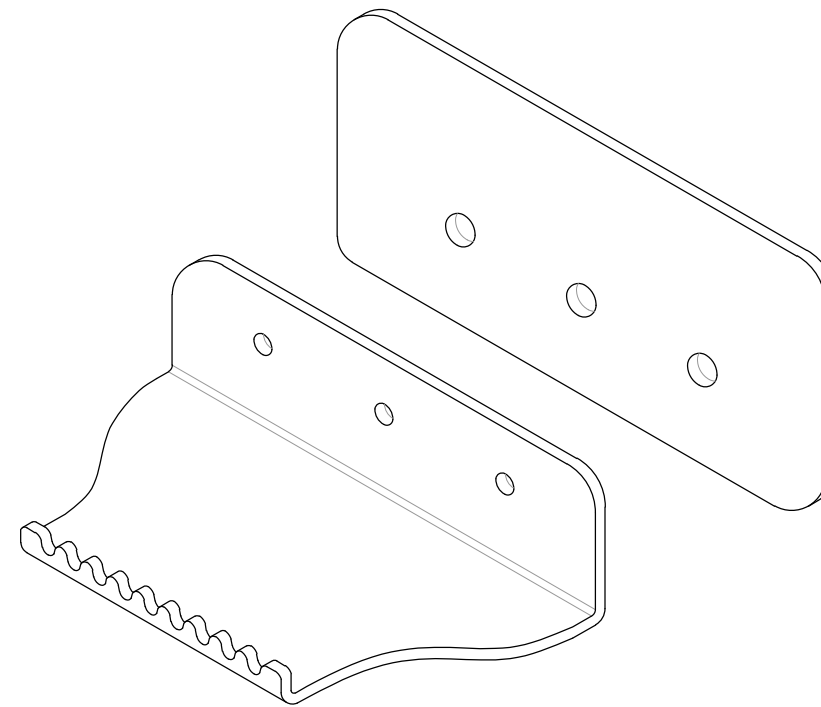
**Detail Elevation**  
FOOT HANDLE  
NTS



**Detail Elevation**  
BACK PLATE  
NTS



**Detail Section**  
FOOT HANDLE  
NTS



**Detail Isometric**  
NTS

**DISCLAIMER:**  
It is a matter for each person installing the FootHandle to satisfy himself/herself as to the suitability of the FootHandle for the purpose for which it is required and the suitability of the door, and the surface and material of the door, on to which the FootHandle is to be mounted and to ensure that the FootHandle is correctly fixed to the door in accordance with these installation instructions.

KeyHygiene will have no liability of any nature whatsoever to the purchaser of this product or any third party for any loss or damage howsoever arising out of or in connection with this product save to the extent to which, as a matter of law, such liability cannot be excluded. In any event, KeyHygiene's maximum aggregate liability in respect of this product will be limited to the amount paid by the purchaser for this product. All warranties, conditions and other terms implied by law (whether by statute, common law or otherwise) in respect of this product are, to the extent permitted by law, expressly excluded. It is a matter for each purchaser of this product and any third party using this product to satisfy itself as to the suitability of this product for the purpose for which this product is required and as to the suitability of any surface, door or item to which this product is to be affixed and the manner in which it is to be affixed.

**FOOT HANDLE**  
Product Details

DRG N°	N / A	STATUS	FOR INFORMATION		
DATE	23.04.2020	SIZE	SCALE	DRAWN	CHECK
		A3	N/A	TN	NO'K

